

Colour Proof

Date

Part No.

Customer

Description

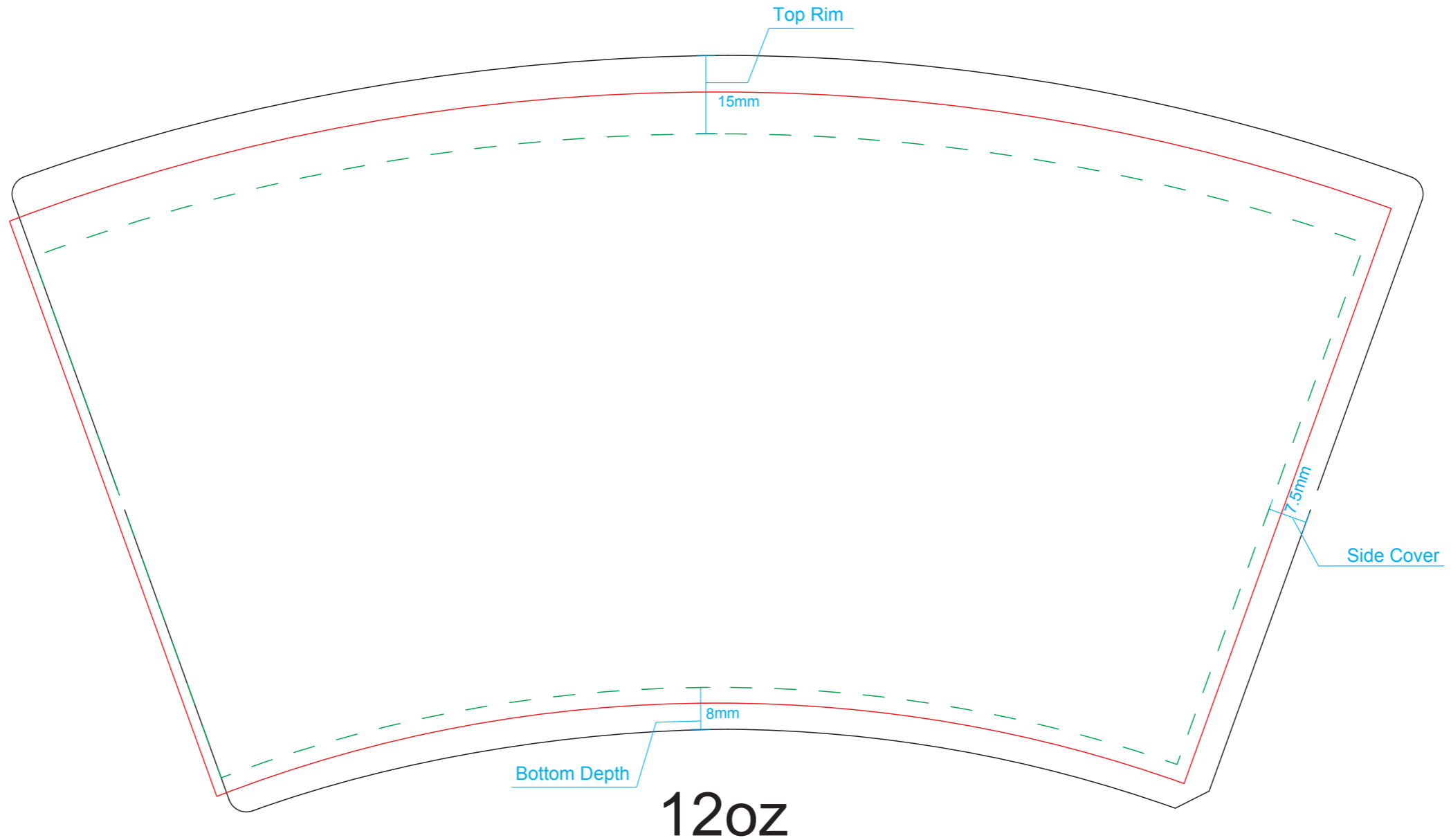
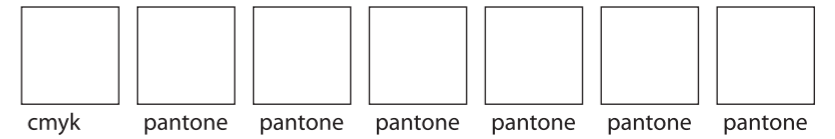
Finish

Customer Approval

Signed

Date

Print Name



<p>12oz</p> <p>mm</p>	<p>Description: _____</p> <p>Product Code: <u>7017012</u></p> <p>Art Work Code: _____</p> <p>Quantities: _____</p> <p>Material: _____</p>	<p>— print area</p> <p>— Cut line</p> <p>- - - visible area</p>	<p>DISCLAIMER</p> <ul style="list-style-type: none"> ● Late return of proofs will effect delivery dates, delivery date can only be arranged after a signed approval has been received ● Any alterations after art work confirmed made by the client causing additional work will be charged accordingly. ● Digital Proof is representative but not accurate in color. The colours will differ on differ material and the final printed products. Inks will be match as closely as possible to the PMS swatch samples provided. ● While every effort has been made to ensure the accuracy of this artwork, the client accepts responsibility for final checking and approval and confirms that this artwork is correct. ● Please double confirm the delivery time if the artwork with time limit for show or fair etc. <p><input type="checkbox"/> OK TO PROCEED <input type="checkbox"/> REVISED PROOF REQUIRED</p> <p>(PLEASE MARK CLEARLY ANY ALTERATIONS)</p> <p>Client: _____ Date: _____</p>
	<p>IMPORTANT NOTES</p> <p>Note customer supplied artwork has been modified to compensate for dot gain (spread of ink) on the press.</p> <p>However due to limitations within this design some of the finer reversed imagery may still fill in.</p> <p>PLEASE REVIEW CAREFULLY.</p>		

Note above imagery that appears in colour will not print.